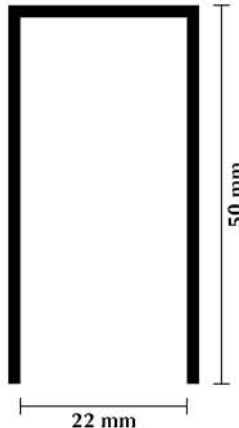
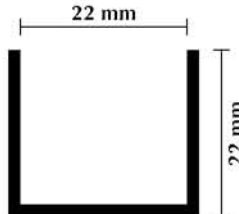
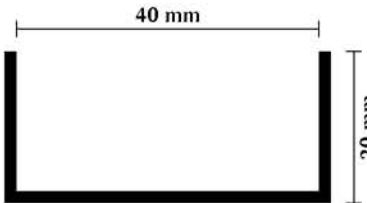
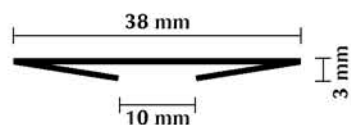
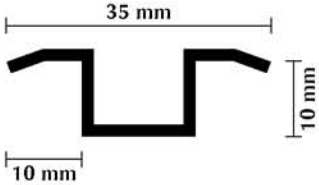
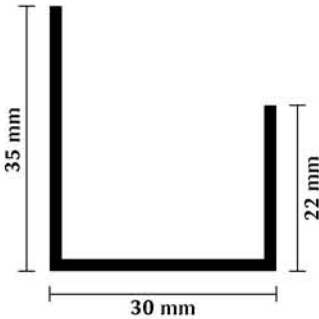
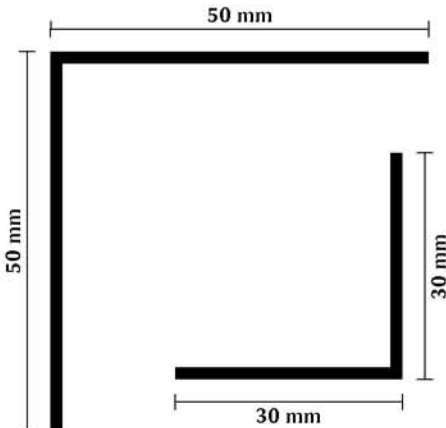
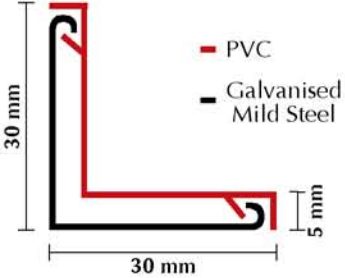
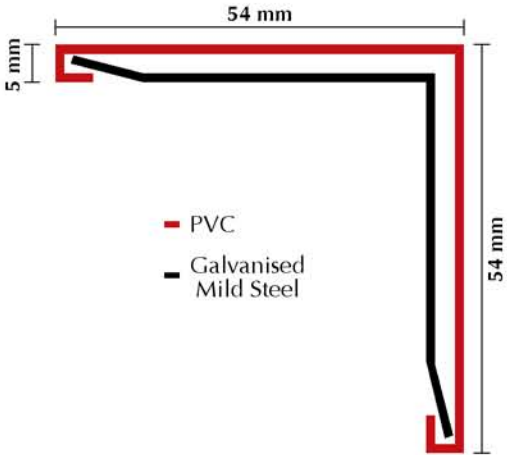
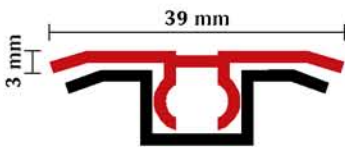
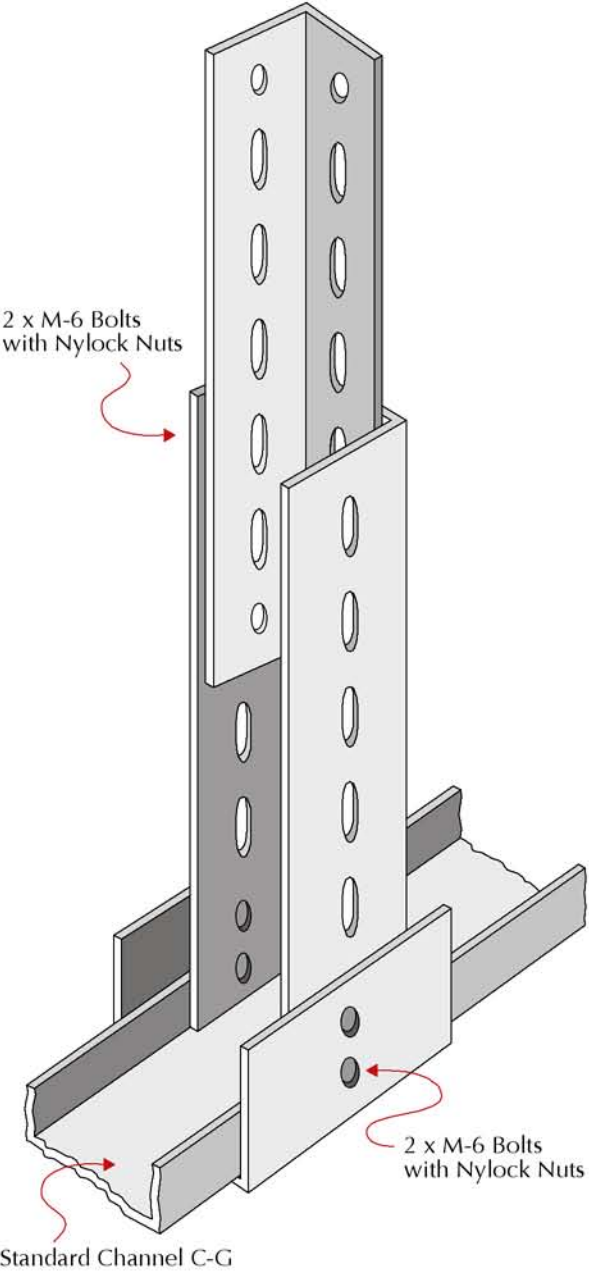
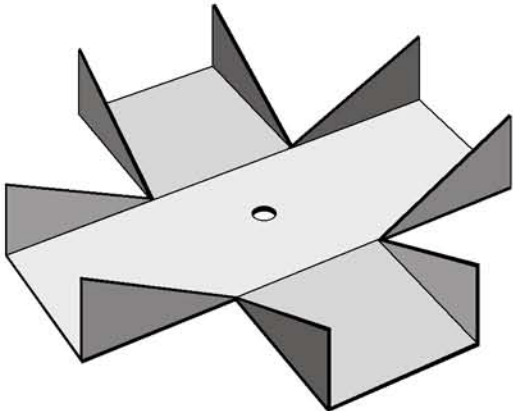
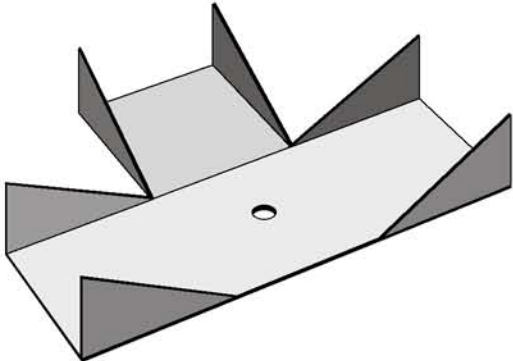


DESCRIPTION/SKETCH	CODE	MATERIAL	THICK	LENGTH
TOP CHANNEL 	TC-G TC-SS	Galvanised Mild Steel Stainless Steel	1.6 mm 1.6 mm	2450 mm 2500 mm
BOTTOM CHANNEL 	BC-G BC-SS	Galvanised Mild Steel Stainless Steel	1.6 mm 1.6 mm	2450 mm 2500 mm
VERTICAL CHANNEL & HORIZONTAL CHANNEL 	C-G C-SS	Galvanised Mild Steel Stainless Steel	1.6 mm 1.6 mm	2450 mm 2500 mm
SPLINE INSERT  <p>Spurs to face away from visible face of panels</p>	SI-G	Galvanised Mild Steel	0.8 mm	2450 mm

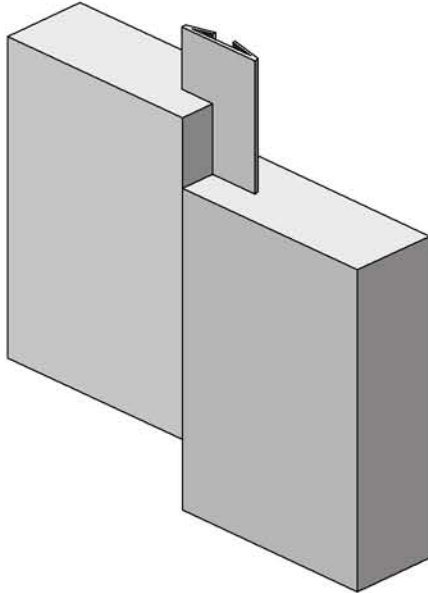
DESCRIPTION/SKETCH	CODE	MATERIAL	THICK	LENGTH
OMEGA SECTION 	OS-G08	Galvanised Mild Steel	0.8 mm	2450 mm
	OS-G16	Galvanised Mild Steel	1.6 mm	2450 mm
	OS-SS09	Stainless Steel	0.9 mm	2500 mm
	OS-SS16	Stainless Steel	1.6 mm	2500 mm
PERIMETER CHANNEL 	PC-G	Galvanised Mild Steel	1.6 mm	2450 mm
EQUAL ANGLE 	EA-G50	Galvanised Mild Steel	1.6 mm	2450 mm
	EA-G30	Galvanised Mild Steel	1.6 mm	2450 mm

DESCRIPTION/SKETCH	CODE	MATERIAL	THICK	PVC INSERT COLOUR	LENGTH
INTERNAL ANGLE & PVC INSERT - SET 	IA-PVC-W	Galvanised Mild Steel	0.8 mm	White	2450 mm
	IA-PVC-B	Galvanised Mild Steel	0.8 mm	Beige	2450 mm
EXTERNAL ANGLE & PVC INSERT - SET 	EXA-PVC-W	Galvanised Mild Steel	1.2 mm	White	2450 mm
	EXA-PVC-B	Galvanised Mild Steel	1.2 mm	Beige	2450 mm
OMEGA SECTION & PVC INSERT-SET 	OS-PVC-08-W	Galvanised Mild Steel	0.8 mm	White	2450 mm
	OS-PVC-08-B	Galvanised Mild Steel	0.8 mm	Beige	2450 mm
	OS-PVC-16-W	Galvanised Mild Steel	1.6 mm	White	2450 mm
	OS-PVC-16-B	Galvanised Mild Steel	1.6 mm	Beige	2450 mm

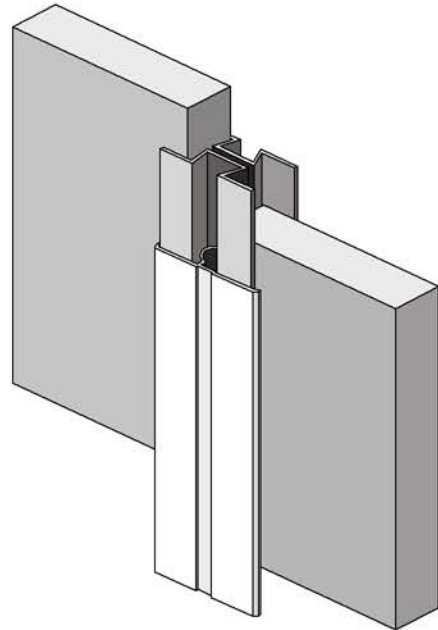
DESCRIPTION/SKETCH	CODE	MATERIAL	THICK	MAX PROJECTION
<p>HANGING BRACKET - SET</p>  <p>2 x M-6 Bolts with Nylock Nuts</p> <p>Standard Channel C-G</p> <p>2 x M-6 Bolts with Nylock Nuts</p>	<p>HB-530</p> <p>HB-800</p>	<p>Galvanised Mild Steel</p> <p>Galvanised Mild Steel</p>	<p>1.6 mm</p> <p>1.6 mm</p>	<p>530 mm</p> <p>800 mm</p>

DESCRIPTION/SKETCH	CODE	MATERIAL	THICK	LENGTH
<p>FOUR WAY CONNECTOR</p> 	4WC	Galvanised Mild Steel	0.6 mm	Item
<p>THREE WAY CONNECTOR</p> 	3WC	Galvanised Mild Steel	0.6 mm	Item

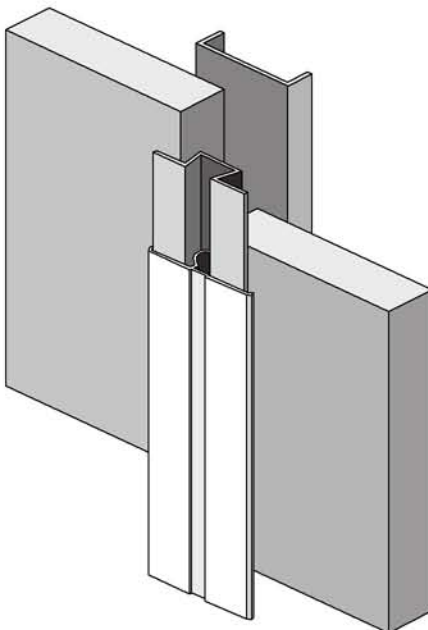
TYPICAL SPLINE JOINT CONNECTION



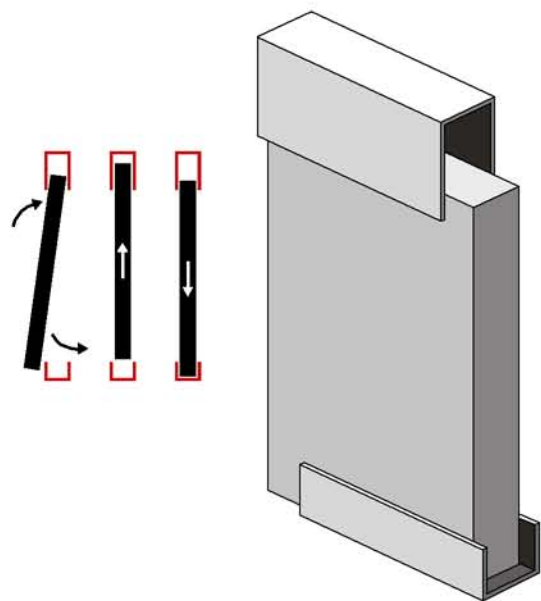
**TYPICAL OMEGA SECTION BACK TO BACK
MINIMUM 21 mm THICK PANEL
WITH PVC INSERT**

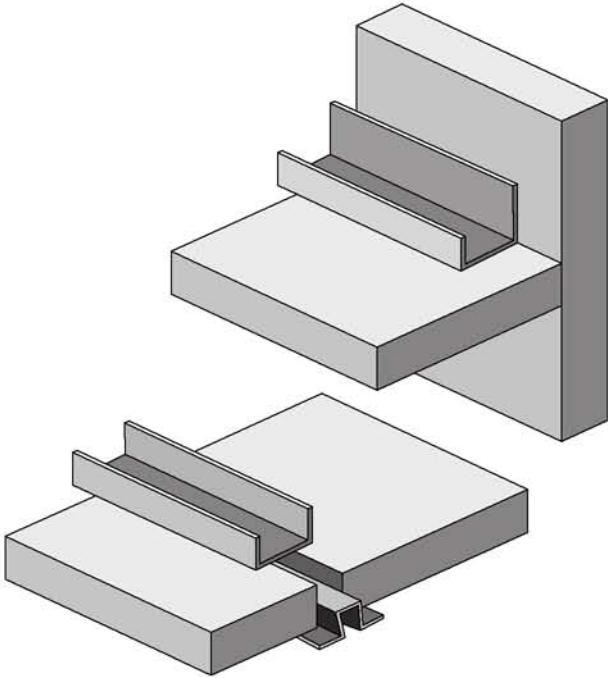
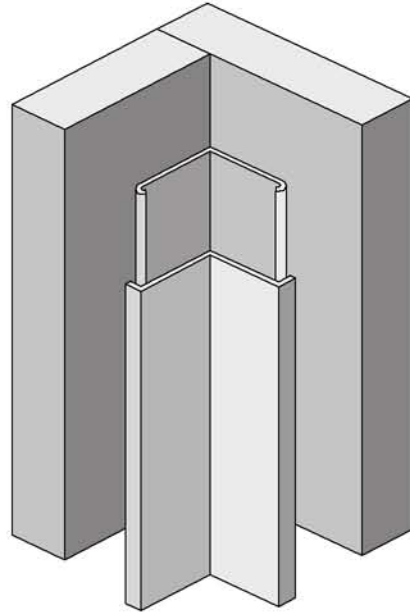
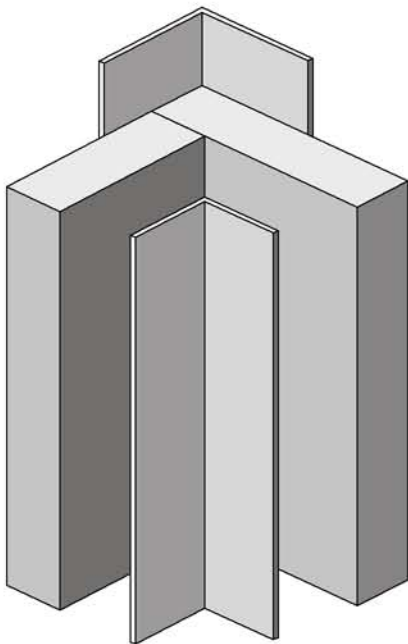


**TYPICAL OMEGA SECTION SECURED BACK
TO VERTICAL CHANNEL WITH PVC INSERT**



**TYPICAL TOP & BOTTOM CHANNEL
WITH BOARD PLACEMENT**



TYPICAL PERIMETER CHANNEL & HORIZONTAL CHANNEL SECURED WITH OMEGA SECTIONS**TYPICAL INTERNAL ANGLE & PVC INSERT****TYPICAL EQUAL ANGLE DETAIL****TYPICAL EXTERNAL ANGLE & PVC INSERT**